

Technical data sheet

Product features



Fry-top griddle plate smooth chromed on open cabinet

Model	SAP Code	00008519
--------------	-----------------	----------



- Top type: Smooth
- Griddle dimensions [mm x mm]: 560 x 770
- Griddle thickness [mm]: 12.00
- Worktop material: AISI 304
- Container for liquid fat: Yes
- Independent heating zones: Separate control for each heating zone
- Maximum device temperature [°C]: 50
- Surface finish: polished chrome 0.03 mm
- Removable rim: Yes

SAP Code	00008519	Power electric [kW]	9.000
Net Width [mm]	800	Loading	400 V / 3N - 50 Hz
Net Depth [mm]	730	Griddle dimensions [mm x mm]	560 x 770
Net Height [mm]	900	Top type	Smooth
Net Weight [kg]	88.50	Worktop type	Molded - comfortable cleaning maintenance

Technical data sheet

Technical drawing

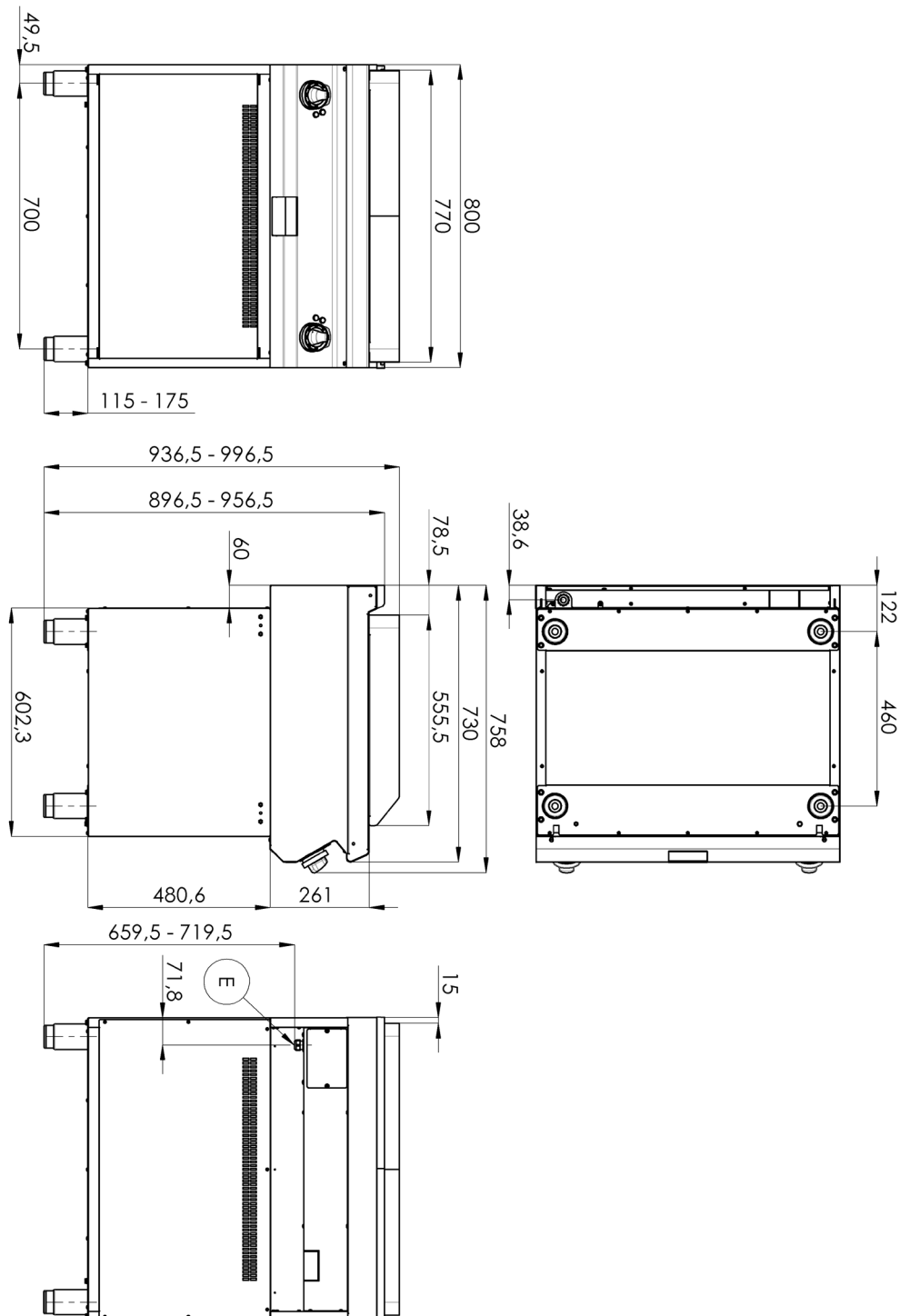


Fry-top griddle plate smooth chromed on open cabinet

Model

SAP Code

00008519



Technical data sheet

Technical parameters



Fry-top griddle plate smooth chromed on open cabinet

Model	SAP Code	00008519
--------------	-----------------	----------

1. SAP Code:

00008519

2. Net Width [mm]:

800

3. Net Depth [mm]:

730

4. Net Height [mm]:

900

5. Net Weight [kg]:

88.50

6. Gross Width [mm]:

840

7. Gross depth [mm]:

800

8. Gross Height [mm]:

1080

9. Gross Weight [kg]:

98.50

10. Device type:

Electric unit

11. Construction type of device:

With substructure

12. Power electric [kW]:

9.000

13. Loading:

400 V / 3N - 50 Hz

14. Protection of controls:

IP24

15. Exterior color of the device:

Stainless steel

16. Material:

AISI 304 top plate and cladding

17. Indicators:

operation and warm-up

18. Worktop type:

Molded - comfortable cleaning maintenance

19. Worktop material:

AISI 304

20. Worktop Thickness [mm]:

15.00

21. Surface finish:

polished chrome 0.03 mm

22. Maximum device temperature [°C]:

50

23. Minimum device temperature [°C]:

300

24. Service accessibility:

Trough the frontal panel

25. Safety thermostat:

Yes

26. Safety thermostat up to x ° C:

360

27. Adjustable feet:

Yes

28. Griddle dimensions [mm x mm]:

560 x 770

Technical data sheet

Technical parameters



Fry-top griddle plate smooth chromed on open cabinet

Model

SAP Code

00008519

29. Griddle thickness [mm]:

12.00

33. Removable rim:

Yes

30. Container for liquid fat:

Yes

34. Uniform heating:

Yes

31. Removable device container:

No

35. Top type:

Smooth

32. Independent heating zones:

Separate control for each heating zone

36. Cross-section of conductors CU [mm²]:

2

- Výkon (kW): 9-11 (230 V); 15-19 (400 V)